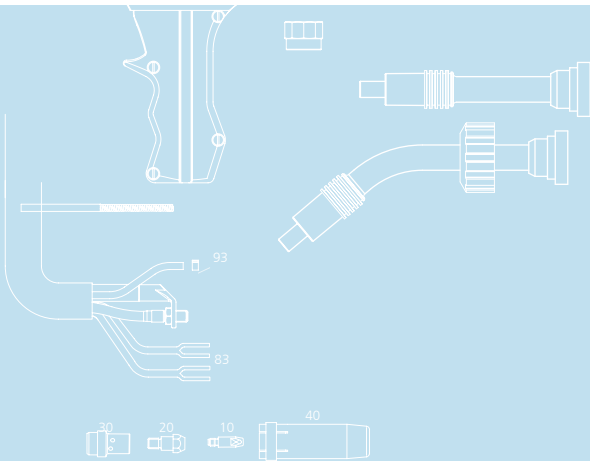




Classic TBI PP 360



Aircooled

Changeable swivel neck

Torch length of 4 m to 12 m

Technical data

MIG / MAG Standard Push-Pull-torch TBI PP 360

Rating at 60% duty cycle
(10 min. cycle)

- mixed gas: 250 A
- CO₂: 270 A

Cooling method aircooling

Wire diameter 0.8 - 1.6 mm

Gas flow 12 l/min

Technical specification according to IEC 60974-7

Weight with 1.5 m cable 2,65 kg

Connection Euro-Central connector
other connectors (e.g. Cloos®,
ESAB®) available upon request.

Torch rating will be reduced when using pulsed-arc power sources. Special torch necks are available upon request.

Ordering Information

TBi PP 360	40° bent, ESG, w/o pots	184P291A_0*
TBi PP 360	straight, ESG, w/o pots	184P191A_0*
TBi PP 360	40° bent, ESG, 2 x pot. 10 kOhm	184P291B_0*
TBi PP 360	straight, ESG, 2 x pot. 10 kOhm	184P191B_0*

* At the blank, please insert 4, 6 or 8 for a torch length of 4 m, 6 m or 8 m. For a torch length of 10 m, please insert 1A as the last two characters, for 12 m insert 1C respectively.



100

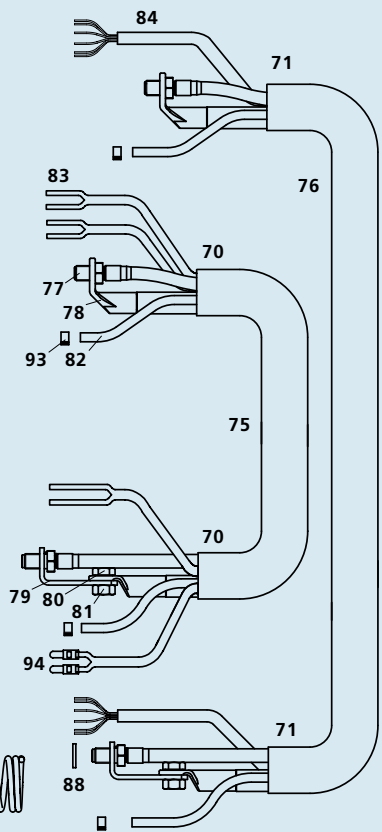
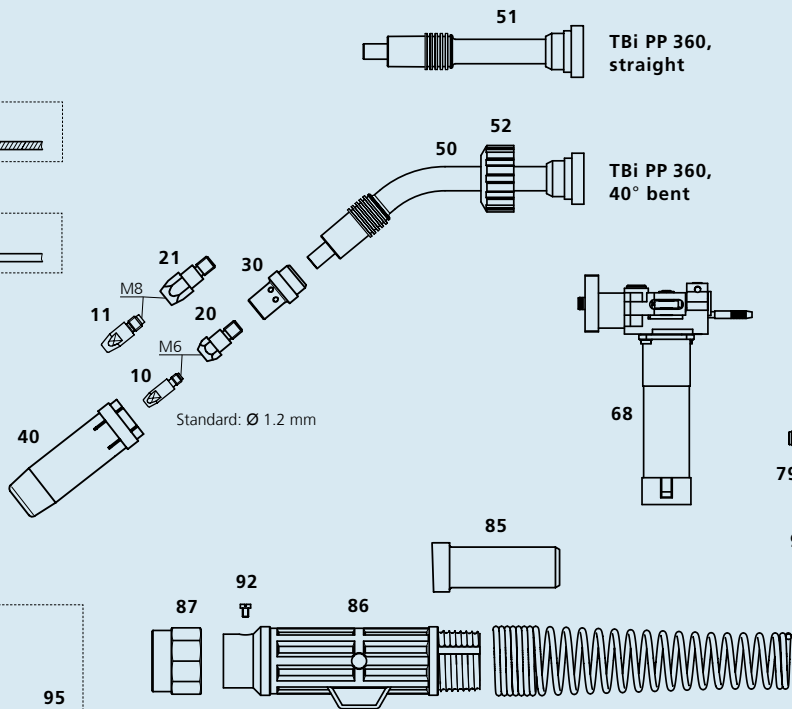
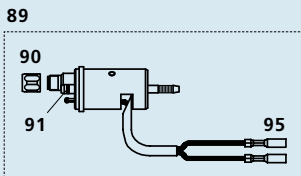
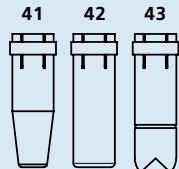
101

110

112 111

120

112 111



Pos. Description

Part. No.

Pos. Description

Part. No.

Contact tips

10	Contact tip M6x28, Ecu	340P__1069*
10	Contact tip M6x28, CuCrZr	340P__3069*
▶ 10	Contact tip M6x28 Alu, Ecu	341P__1069*
11	Contact tip M8x30, Ecu	340P__1262*
11	Contact tip M8x30, CuCrZr	340P__3262*
11	Contact tip M8x30 Alu, Ecu	341P__1262*

Tip holders

▶ 20	Tip holder M6 / L=28 mm	342P006014
20	Tip holder M6 / L=32 mm	342P006114
21	Tip holder M8 / L=28 mm	342P008014
21	Tip holder M8 / L=34 mm	342P008114

Gas diffusers

▶ 30	Gas diffuser, white	114P002003
30	Gas diffuser, ceramic	114P002005
30	Gas diffuser, black	114P002007
30	Gas diffuser, brown	114P002011

Gas nozzles

▶ 40	Nozzle con. diam. 16.0 mm	345P012010
41	Nozzle con. diam. 12.0 mm	345P013010
42	Nozzle cyl. diam. 20.0 mm	345P011010
43	Spot weld nozzle diam. 20.0 mm	345P015010

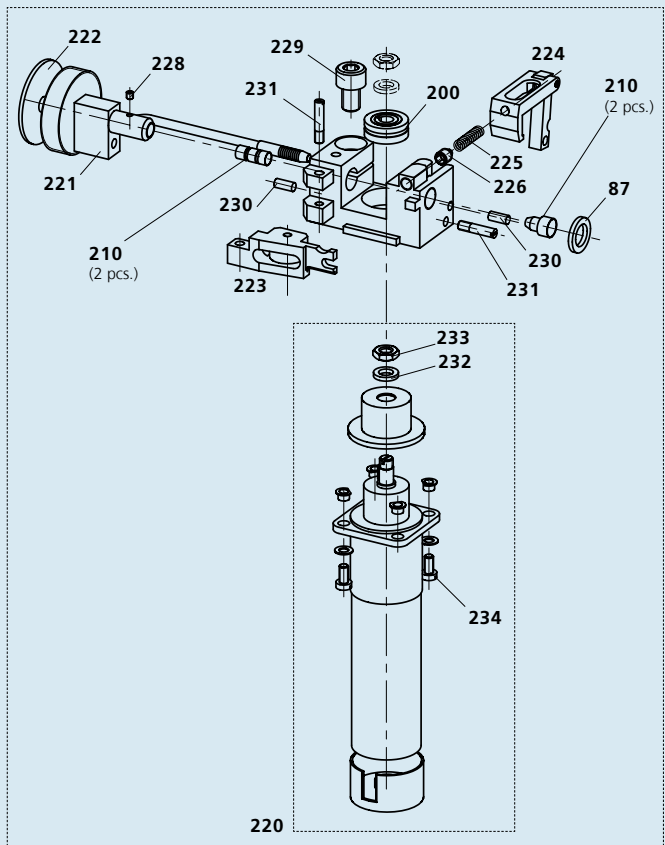
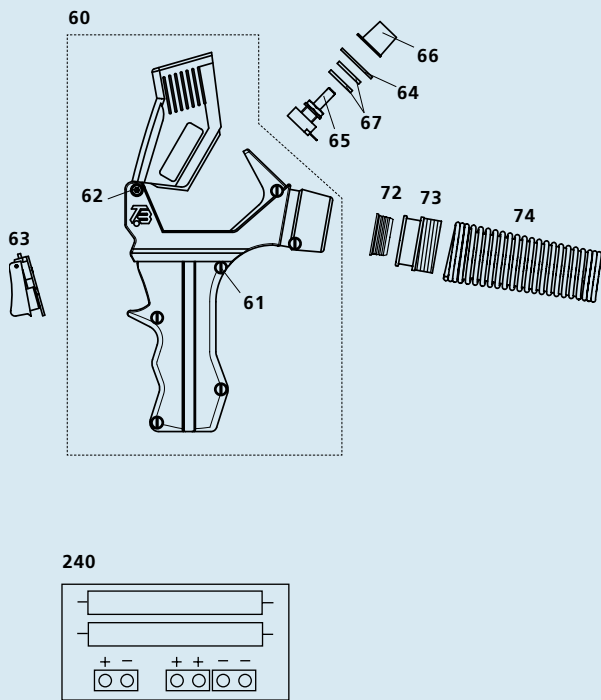
Spare parts

50	Torch neck TBi PP 360, 40° bent	181P001221
51	Swan neck TBi PP 360, straight	181P001220
52	Sleeve nut Push-Pull	181P001310
60	Push-Pull handle, blue, cpl.	380P205100

61	Socket cap screw M4x10	100P008403
62	Socket cap screw M4x30	109P091209
63	Micro switch, red, 3 poles	385P033011
64	Mounting plate for potentiometers	181P102157
64	Plate for PP handle w/o pots	181P102158
▶ 65	Potentiometer 10 kOhm	387P102003
65	Potentiometer 5 kOhm	387P102002
65	Potentiometer 1 kOhm	387P102001
66	Knob for potentiometer	181P002146
67	Washer D=10.5 mm	100P012510
68	Drive unit cpl. for PP aircooled	181P001910
70	Cable assembly cpl. PP 360 (version w/o pots)	181P0080_0*
71	Cable assembly cpl. PP 360 (version with pots)	181P0090_0*
72	Hose support	600P102102
73	Support for spring	600P102101
74	Spring for handle, large	600P102100
75	Fabric outer cover, 25x1.5 mm, per m	307P252800
76	Fabric outer cover, 28x1.5 mm, per m	307P283100
77	Wire conduit cpl., for PP 360	356P0706_0*
78	Power cable cpl., for PP 360	318P50LM_0*
79	Power rail, PP 360	701P142151
80	Hex screw, M8x12	109P093308
81	Hex nut M8	109P093405
82	PVC-Gas hose, black 4.5x1.5 mm	302P010000
83	Control cable, 2x0.75 sqmm	300P020751
84	Control cable, 10x0.34 sqmm	300P100341
85	Cable support 70 sqmm	600P002107
86	Cable support 3 parts cpl. with spring	701P101071
87	Adaptor nut	701P001013
88	Washer	104P002013
89	Central adaptor ESG cpl., moveable pins, PP	701P001053
90	Sleeve nut M10x1	701P002005
91	O-ring 4.0x1.0 mm (gas nipple)	365P100040
92	Slotted screw M4x6	100P008401
93	Hose clamp Ø 8.7	371P000087
94	Insulated connector, male, round	375P000004
95	Insulated connector, female, round	375P000003

▶ = Standard equipment

* At the blank, please insert suitable information for torch length or wire diameter, e.g. 08 for 0.8 or 4, 6 or 8 for 4m, 6m or 8m. For longer torches please refer to the section special lengths.



Pos.	Description	Part. No.
Wire guides (torch neck)		
▶ 100	Wire guide set PA/bronze for Al-wire 0.8-1.6 mm	181P001135
101	Wire guide set for steel wire 0.8-1.6 mm	181P001132

Pos.	Description	Part. No.
Wire guides (cable assembly)		
110	Liner w/o insulation (x.50 m) for wire 0.8-1.6 mm	322P2545_5*
111	Collet for teflon and PA liner 4.7 mm	331P027047
112	O-ring 3.50x1.50 mm (teflon liner)	365P150035
▶ 120	PA liner cpl. (x.50 m) for wire 0.8-1.6 mm	328P2947_5*

Pos.	Description	Part. No.
Special lengths for 10 and 12 m torches		
70	Cable assembly PP 360 (version w/o pots), 10 m	181P008010
70	Cable assembly PP 360 (version w/o pots), 12 m	181P008012
71	Cable assembly PP 360 (version with pots), 10 m	181P009010
71	Cable assembly PP 360 (version with pots), 12 m	181P009012
77	Wire conduit cpl., for PP 360, 10 m	356P07061A
77	Wire conduit cpl., for PP 360, 12 m	356P07061C
78	Power cable cpl., for PP 360, 10 m	318P50LM1A
78	Power cable cpl., for PP 360, 12 m	318P50LM1C
110	Liner w/o insulation, for wire 0.8-1.6 mm, 10.50 m	322P25451A
110	Liner w/o insulation, for wire 0.8-1.6 mm, 12.50 m	322P25451C
▶ 120	PA liner cpl., for Al-wire 0.8-1.6 mm, 10.50 m	328P29471A
▶ 120	PA liner cpl., for Al-wire 0.8-1.6 mm, 12.50 m	328P29471C

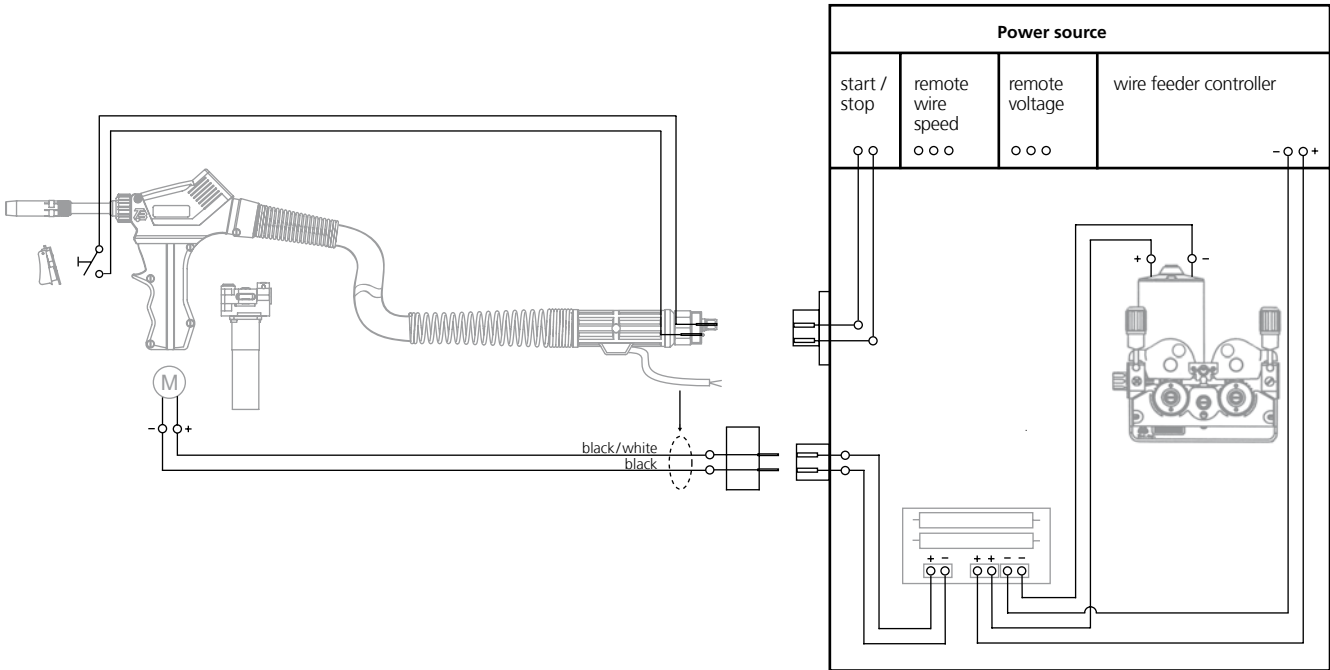
Pos.	Description	Part. No.
Feed rolls		
200	Feed roll for Al-wire 0.8 mm	181P101001
200	Feed roll for Al-wire 1.0 mm	181P101002
▶ 200	Feed roll for Al-wire 1.2 mm	181P101003
200	Feed roll for Al-wire 1.6 mm	181P101005
200	Feed roll for steel wire 0.8 mm	181P101009
200	Feed roll for steel wire 1.0 mm	181P101011
200	Feed roll for steel wire 1.2 mm	181P101013
200	Feed roll for steel wire 1.6 mm	181P101015
200	Knurled feed roll for cored wires 1.0-1.6 mm	181P002122

Pos.	Description	Part. No.
Consumables for wire drive unit		
210	Wire inlet guides, set of 2 pcs.	181P001130

Pos.	Description	Part. No.
Spare parts for wire drive unit		
220	Motor 42V, set with insulation material	181P101020
221	Neck adaptor for PP 360	181P001302
222	Gasket	181P002101
223	lever with pressure roll, cpl.	181P101012
224	Tension bracket cpl.	181P101019
225	Spring	181P002109
226	Adjusting screw	181P002110
228	Set screw M3x3	109P091310
229	Socket cap screw M8x12	109P091211
230	Cylindrical pin 4x10 mm	100P000702
231	Headless screw M4x20	100P042703
232	Serrated washer 6.4 mm	100P679801
233	Hex nut M6, flat	109P403501
234	Cheese head screw M4x8	100P008416

Pos.	Description	Part. No.
P/C board		
▶ 240	P/C board for connection to main drive motor	181P001016

TBi PP 360 without potentiometers



TBi PP 360 with potentiometers

