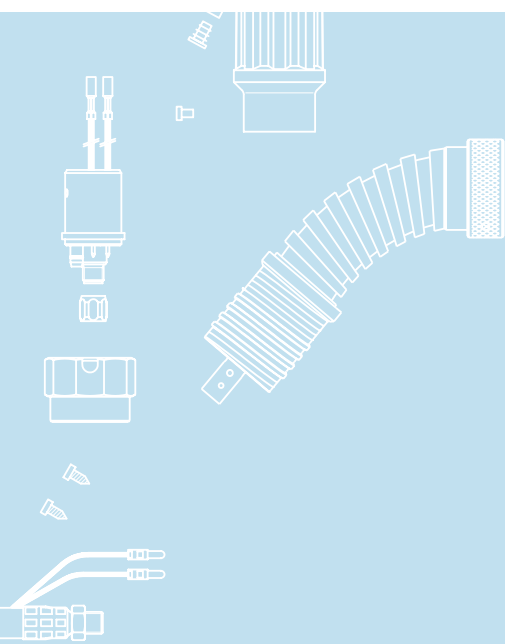




Top 2000 TBi 5G E3



Air cooled

Same consumables as TBi 5G / TBi 5W

Slip-on fume shroud

Technical data

MIG/MAG semi-automatic fume extraction welding torch TBi 5G E3

Rating at 60% duty cycle
(10 min. cycle)

- Mixed gas: 235 A
- CO₂: 265 A

Cooling method air cooling

Wire diameter 0.8 - 1.2 mm

Gas flow 12 l/min

Technical specification according to IEC 60974-7

Weight with 1.5m cable 1.40 kg

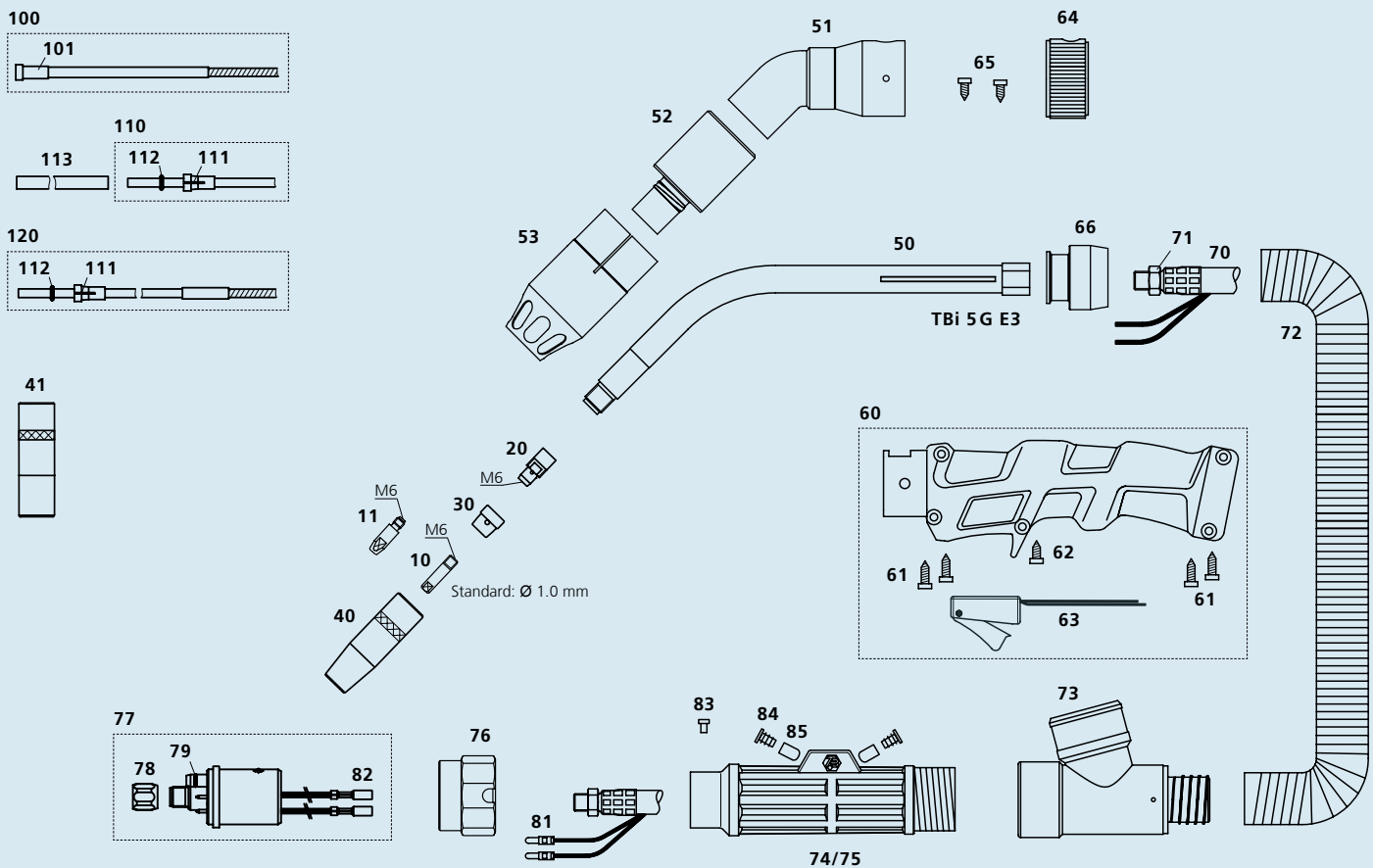
Connection Euro-Central connector,
other connectors (e.g. CLOOS®, ESAB®,
Lincoln®) available upon request.

Torch rating will be reduced when using pulsed-arc power sources.
Custom lengths of the cable assembly are available upon request.

Ordering Information

TBi 5G E3 ESG, 50° bent 267P3E23_0*

* At the blank, please insert 3, 4 or 5 for a torch length of 3, 4 or 5m.



Pos. Description

Part. No.

Pos. Description

Part. No.

Contact tips

▶ 10	Contact tip M6x25, Ecu	340P_1073*
10	Contact tip M6x25, CuCrZr	340P_3073*
10	Contact tip M6x25 Alu, Ecu	341P_1073*
11	Contact tip M6x28, Ecu	340P_1069*
11	Contact tip M6x28, CuCrZr	340P_3069*
11	Contact tip M6x28 Alu, Ecu	341P_1069*

Tip holders

▶ 20	Tip holder M6, CuCrZr	342P006176
------	------------------------------	-------------------

Gas diffusers

▶ 30	Gas diffuser	174P102090
30	Gas diffuser, heavy duty	174P102091

Gas nozzles

▶ 40	Nozzle con. diam. 12.5 mm	345P012176
41	Nozzle cyl. diam. 17.0 mm	345P011176

Spare parts

50	Inner tube Tbi 5G E3	267P101021
51	Outer tube Tbi 240/241/5G/5W E3	223P001010
52	Nozzle support Tbi 5G/5W E3	267P102007
53	Fume shroud Tbi 240/241/5G/5W E3	212P001001
60	Handle cpl., blue, housed micro switch, Tbi E2/E3	380P220606
61	Self-cutting screw 3.5x14.0 mm	100P797101
62	Self-cutting screw, short, Tbi E3	100P008411
63	Micro switch, housed, cpl.	600P101046
64	Air regulator large	200P102001
65	Screw for air regulator	100P797103
66	Handle fitting for 29 mm fume hose	252P102026

70	Coaxial cable cpl., 25 sqmm	359P2511_0*
71	Hex nut M10x1	101P002005
72	Fume extraction hose D=29 mm	306P293600
73	T-joint cpl. for 29 mm fume hose	200P101013
74	Cable support housing (only with pos. 75)	701P102070
75	Cable support cover (only with pos. 74)	701P102071
76	Adaptor nut	701P001013
77	Central adaptor ESG cpl., 2 poles, moveable pins	701P001048
78	Sleeve nut M10x1	701P002005
79	O-ring 4.0x1.0 mm (gas nipple)	365P100040
81	Insulated connector, male, round	375P000004
82	Insulated connector, female, round	375P000003
83	Slotted screw M4x6	100P008401
84	Square cap	200P102006
85	Cap for water connector	395P000004

Wire guides

100	Liner w/ insulation blue (x.40 m) for wire 0.8-1.0	324P1545_4*
▶ 100	Liner w/ insulation red (x.40 m) for wire 1.0-1.2	324P2045_4*
101	Collet for liners dia. 4.5 mm	330P025045
110	Teflon liner blue (x.50 m) for wire 0.6-0.9	326P1540_5*
110	Teflon liner red (x.50 m) for wire 1.0-1.2	326P2040_5*
111	Collet for teflon and PA liner 4.0 mm	331P020040
112	O-ring 3.50x1.50 mm (teflon liner)	365P150035
113	Support tube 5x4.4 mm, L=150 mm	329P544150
120	PA-Alu wire guide (x.50 m) for wire 1.0-1.2	328P2040_A*

▶ = Standard equipment

* At the blank, please insert suitable information for torch length or wire diameter, e.g. 08 for 0.8 mm or 3 for 3 mm.

© 2007 TBI Industries GmbH. All rights reserved. Subject to change without notice. Warranty only when using original TBI consumables and spare parts. Excerpts and reprints not permitted. Nr. DOKP113402, 12/2007.