



Classic TBi 360 E3

Air cooled

Same consumables as TBi 360

Slip-on fume shroud

Technical data

MIG/MAG semi-automatic fume extraction welding torch TBi 360 E3

Rating at 60% duty cycle
(10 min. cycle)

- Mixed gas: 335 A
- CO₂: 350 A

Cooling method air cooling

Wire diameter 1.0 - 1.2 mm

Gas flow 12 l/min

Technical specification according to IEC 60974-7

Weight with 1.5m cable 2.00 kg

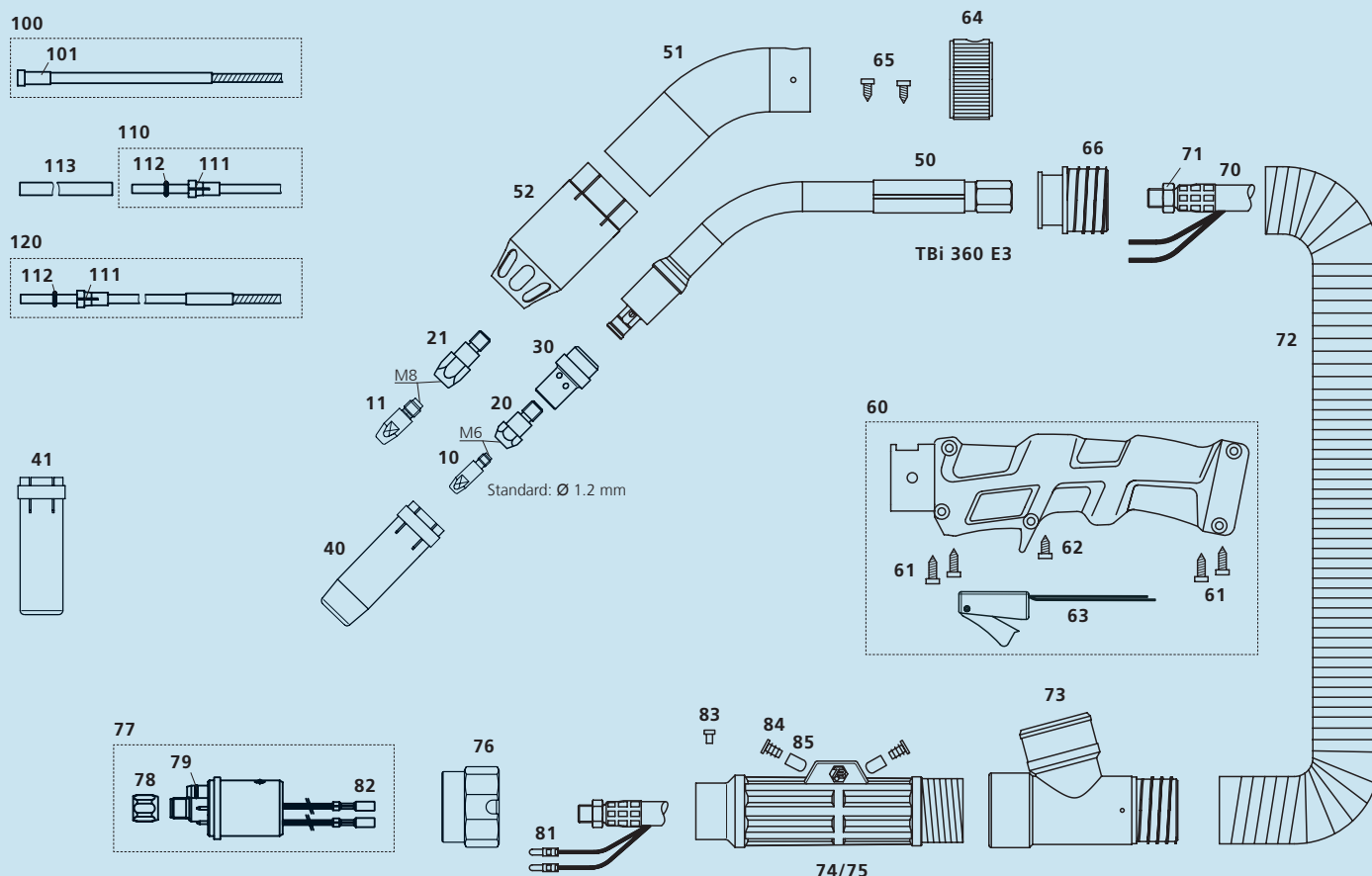
Connection Euro-Central connector,
other connectors (e.g. CLOOS®, ESAB®,
Lincoln®) available upon request.

Torch rating will be reduced when using pulsed-arc power sources.
Custom lengths of the cable assembly are available upon request.

Ordering Information

TBi 360 E3 ESG, 50° bent 214P3X13_0*

* At the blank, please insert 3, 4 or 5 for a torch length of 3, 4 or 5 m.



Pos. Description

Part. No.

Pos. Description

Part. No.

Contact tips

▶ 10	Contact tip M6x28, Ecu	340P_1069*
10	Contact tip M6x28, CuCrZr	340P_3069*
10	Contact tip M6x28 Alu, Ecu	341P_1069*
11	Contact tip M8x30, Ecu	340P_1262*
11	Contact tip M8x30, CuCrZr	340P_3262*
11	Contact tip M8x30 Alu, Ecu	341P_1262*

Tip holders

▶ 20	Tip holder M6 / L=28 mm	342P006014
20	Tip holder M6 / L=32 mm	342P006114
21	Tip holder M8 / L=28 mm	342P008014
21	Tip holder M8 / L=34 mm	342P008114

Gas diffusers

▶ 30	Gas diffuser, black	114P002007
30	Gas diffuser, white	114P002003
30	Gas diffuser, ceramic	114P002005
30	Gas diffuser, brown	114P002011

Gas nozzles

▶ 40	Nozzle con. diam. 16.0 mm	345P012010
41	Nozzle cyl. diam. 20.0 mm	345P011010

Spare parts

50	Torch neck TBi 360 E3	214P001036
51	Outer tube TBi 360/511/7G/7W E3	234P102035
52	Fume shroud TBi 360/511/7G/7W E3	200P002043
60	Handle cpl., blue, housed micro switch, TBi E2/E3	380P220606
61	Self-cutting screw 3.5x14.0 mm	100P797101

62	Self-cutting screw, short, TBi E3	100P008411
63	Micro switch, housed, cpl.	600P101046
64	Air regulator large	200P102001
65	Screw for air regulator	100P797103
66	Handle fitting for 38 mm fume hose	274P102011
70	Coaxial cable cpl., 50 sqmm	359P5011_0*
71	Hex nut M10x1	101P002005
72	Fume extraction hose D=38 mm	306P384600
73	T-joint cpl. for 38 mm fume hose	200P101012
74	Cable support housing (only with pos. 75)	701P102070
75	Cable support cover (only with pos. 74)	701P102071
76	Adaptor nut	701P001013
77	Central adaptor ESG cpl., 2 poles, moveable pins	701P001048
78	Sleeve nut M10x1	701P002005
79	O-ring 4.0x1.0 mm (gas nipple)	365P100040
81	Insulated connector, male, round	375P000004
82	Insulated connector, female, round	375P000003
83	Slotted screw M4x6	100P008401
84	Square cap	200P102006
85	Cap for water connector	395P000004

Wire guides

▶ 100	Liner w/ insulation red (x.40 m) for wire 1.0-1.2	324P2045_4*
▶ 100	Liner w/ insulation yellow (x.40 m) for wire 1.2-1.6	324P2545_4*
101	Collet for liners dia. 4.5 mm	330P025045
110	Teflon liner red (x.50 m) for wire 1.0-1.2	326P2040_5*
110	Teflon liner yellow (x.50 m) for wire 1.2-1.6	326P2747_5*
111	Collet for teflon and PA liner 4.0 mm	331P020040
111	Collet for teflon and PA liner 4.7 mm	331P027047
112	O-ring 3.50x1.50 mm (teflon liner)	365P150035
113	Support tube 5x4.4 mm, L=150 mm	329P544150
120	PA-Alu wire guide (x.50 m) for wire 1.0-1.2	328P2040_A*

▶ = Standard equipment

* At the blank, please insert suitable information for torch length or wire diameter, e.g. 08 for 0.8 mm or 3 for 3 mm.

© 2009 TBI Industries GmbH. All rights reserved. Subject to change without notice. Warranty only when using original TBI consumables and spare parts. Excerpts and reprints not permitted. Nr. DOKP113532, 10/2009.

TBI Industries GmbH
Ruhberg 14
D-35463 Fernwald-Steinbach
P.O. Box 67
D-35461 Fernwald-Steinbach

Tel. + 49 6404 9171-0
Fax. + 49 6404 9171-40
Internet: www.tbi-industries.com
E-mail: info@tbi-industries.com